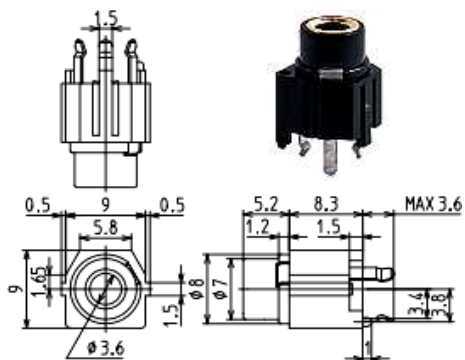


● **MINIATURE JACK**

① **S3B SERIES**

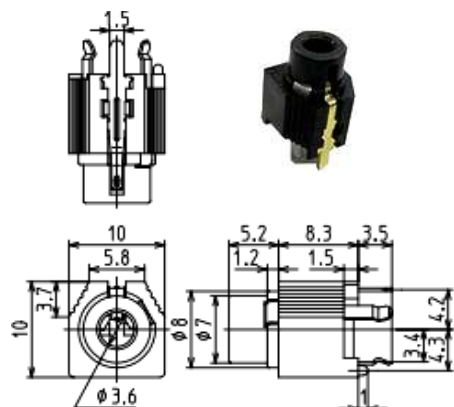
ENGINEERING DRAWING



CIRCUIT STRUCTURE	STEREO	
	3A WITHOUT SW	
REFERENCE AGREEMENT P.C.B	DIP SIDE VIEW	
	WITHOUT SLEEVE	YKB21-5359V
WITH SLEEVE	Ni	YKB21-5340V
	Au	YKB21-5327V

② **S4B SERIES**

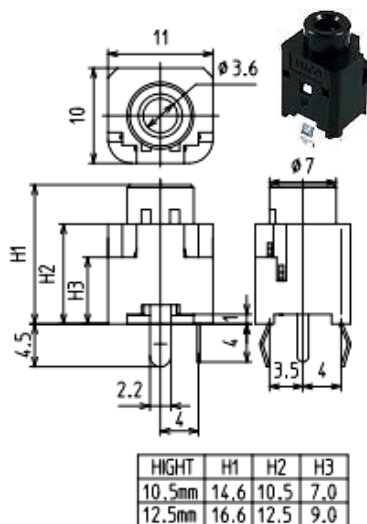
ENGINEERING DRAWING



CIRCUIT STRUCTURE	STEREO	
	4A WITHOUT SW	
REFERENCE AGREEMENT P.C.B	DIP SIDE VIEW	
	WITHOUT SLEEVE	YKB21-5366W
WITH SLEEVE	Ni	_____
	Au	_____

③ **S3A SERIES**

ENGINEERING DRAWING

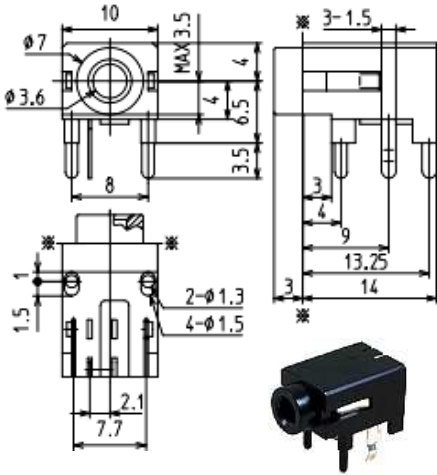


CIRCUIT STRUCTURE	MONO		STEREO					
	2A WITHOUT SW	2B WITH SW	3A WITHOUT SW					
REFERENCE AGREEMENT P.C.B	DIP SIDE VIEW							
WITHOUT SLEEVE	10.5	YKB21-5164V	WITHOUT SLEEVE	10.5	YKB21-5165V	WITHOUT SLEEVE	10.5	YKB21-5157V
	12.5	YKB21-5206V	12.5	YKB21-5205V	12.5	YKB21-5204V		
WITH SLEEVE	Ni	_____	WITH SLEEVE	Ni	_____	WITH SLEEVE	Ni	_____
	Au	_____	Au	_____	Au	_____		

● **MINIATURE JACK**

④ **MJ3 SERIES**

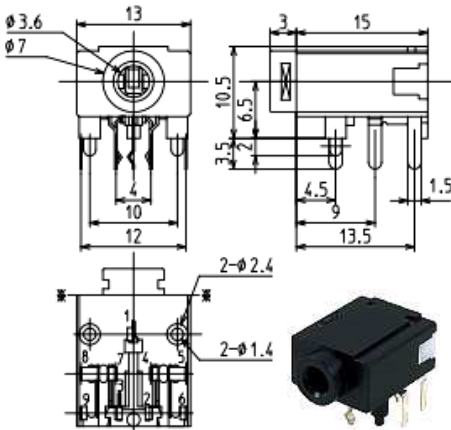
ENGINEERING DRAWING



CIRCUIT STRUCTURE	MONO		STEREO
	2A WITHOUT SW	2B WITH SW	3A WITHOUT SW
REFERENCE AGREEMENT P.C.B	DIP SIDE VIEW		
WITHOUT SLEEVE	YKB21-5291V	WITHOUT SLEEVE	YKB21-5289V
WITH SLEEVE	Ni YKB21-5293V Au	WITH SLEEVE	Ni YKB21-5294V Au YKB21-5296V
		WITHOUT SLEEVE	YKB21-5290V
		WITH SLEEVE	Ni YKB21-5295V Au YKB21-5292V

⑤ **SJ9 SERIES**

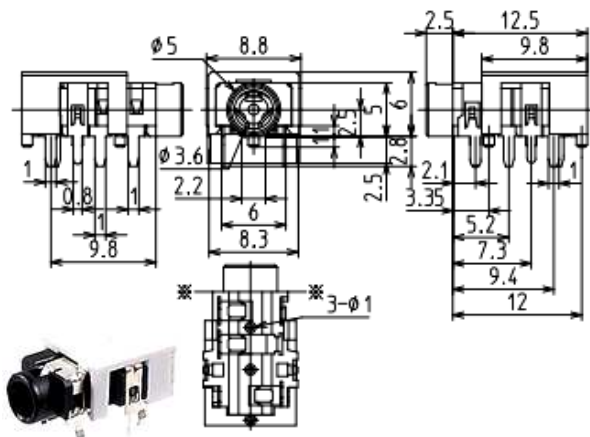
ENGINEERING DRAWING



CIRCUIT STRUCTURE	STEREO		
	3A WITHOUT SW	3C WITH SW	3E WITH SW
REFERENCE AGREEMENT P.C.B	DIP SIDE VIEW		
WITHOUT SLEEVE	YKB21-5406N	WITHOUT SLEEVE	YKB21-5352N
WITH SLEEVE	Ni YKB21-5413N Au YKB21-5414N	WITH SLEEVE	Ni YKB21-5343N Au YKB21-5399N
		WITHOUT SLEEVE	YKB21-5344N
		WITH SLEEVE	Ni YKB21-5345N Au YKB21-5398N

⑥ **LA7 SERIES**

ENGINEERING DRAWING



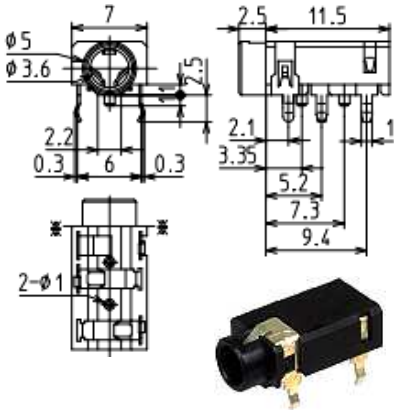
CIRCUIT STRUCTURE	STEREO	
	4Z WITH SW	
REFERENCE AGREEMENT P.C.B	DIP SIDE VIEW	
WITHOUT SLEEVE	YKB21-5349	
WITH SLEEVE	Ni	
	Au	

● **MINIATURE JACK**

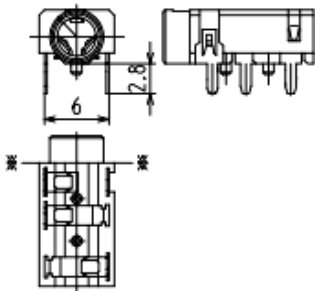
⑦ **LA4 SERIES**

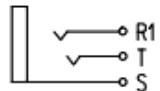
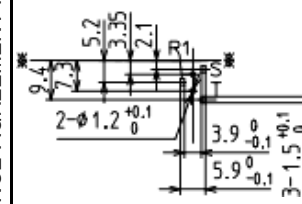
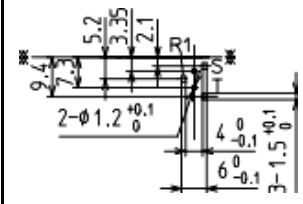
ENGINEERING DRAWING

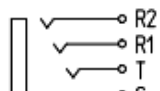
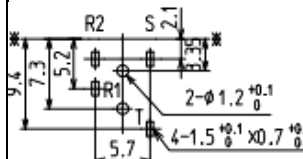
<LEAD : WITH KINK>



<LEAD : STRAIGHT>



CIRCUIT STRUCTURE	STEREO	
	3A WITHOUT SW	
		
REFERENCE AGREEMENT P.C.B	DIP SIDE VIEW <P.C.B, t=0.8>	
		
		
WITHOUT SLEEVE	YKB21-5274B	
WITH SLEEVE	Ni	_____
	Au	_____

CIRCUIT STRUCTURE	STEREO	
	4A WITHOUT SW	
		
REFERENCE AGREEMENT P.C.B	DIP SIDE VIEW <P.C.B, t=1.2>	
		
WITHOUT SLEEVE	YKB21-5347	
WITH SLEEVE	Ni	_____
	Au	_____

SPECIFICATION	PRACTICAL TEMPERATURE RANGE	-25~ +70°C
	PRESERVATION TEMPERATURE RANGE	-25~ +70°C
	RATED VOLTAGE CURRENT	DC 12V, DC 1A
	INSULATION RESISTANCE	100MΩ MIN (DC 500Vにて)
	WITHSTAND VOLTAGE	AC 500V (1 MINUTE)
	CONTACT RESISTANCE	50mΩ MAX
	MATERIAL	MOLD : HEAT ABS or PPHOX TERMINAL : COPPER ALLOY(Ag or Sn PLATING)