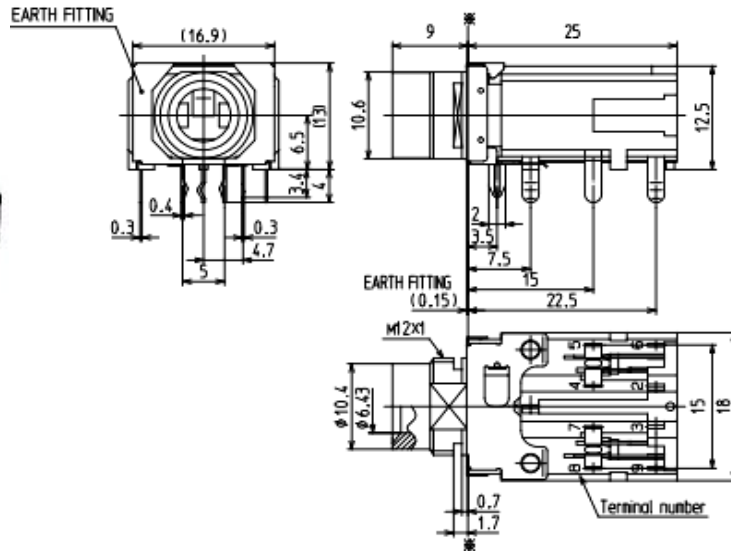


## PHONE JACK

### PJ 9 SERIES

#### ENGINEERING DRAWING



TYPE OF TERMINAL A



METAL SLEEVE

CIRCUIT STRUCTURE	MONO	MONO SW	STEREO	
	2D	2E	3C	3E

WITHOUT EARTH FITTING	DIP SIDE VIEW / TYPE OF TERMINAL A			
	WITHOUT SLEEVE	YKB21-5018	WITHOUT SLEEVE	YKB21-5076
	WITH SLEEVE	Ni YKB21-5017	WITH SLEEVE	Ni YKB21-5075
		Au YKB21-5139	WITH SLEEVE	Au YKB21-5218
			WITH SLEEVE	Ni YKB21-5006
			WITH SLEEVE	Ni YKB21-5078
			WITH SLEEVE	Au YKB21-5005
			WITH SLEEVE	Ni YKB21-5077
			WITH SLEEVE	Au YKB21-5209

WITH EARTH FITTING	DIP SIDE VIEW / TYPE OF TERMINAL A			
	WITHOUT SLEEVE	---	WITHOUT SLEEVE	---
	WITH SLEEVE	Ni YKB21-5328	WITH SLEEVE	Ni YKB21-5312
		Au	WITH SLEEVE	Ni YKB21-5326
			WITH SLEEVE	Ni YKB21-5313
			WITH SLEEVE	Au YKB21-5362
			WITH SLEEVE	Ni
			WITH SLEEVE	Au