





PRODUCT LIST 2/2

● **BNC CONNECTOR**

		CIRCUIT	BOSS HIGHT					
			13.0mm		15.0mm		16.0mm	
			WITHOUT SW			WITH SW		
① RIGHT ANGLE		1P	—	YKC31-0155	—	—	YKC31-0193	—
		2P	—	—	YKC31-0156	—	—	YKC31-0165
		3P	YKC31-0157	—	—	—	—	—
		4P	YKC31-0158	—	—	YKC31-0194	—	—
		5P	—	—	YKC31-0159	—	—	—
② VERTICAL		1P	—	YKC31-0160	—	—	YKC31-0173	—
		2P	—	—	YKC31-0161	—	—	YKC31-0170
		3P	YKC31-0162	—	—	YKC31-0172	—	—
		4P	YKC31-0163	—	—	YKC31-0167	—	—
		5P	—	—	YKC31-0164	—	—	YKC31-0171

● **DIN CONNECTOR**

		CIRCUIT	SHIELD PLATE	BOSS	EARTH			
① ORIGINAL DIRECTION		1 CONTINUATION	3P	○	○	○	YKF51-5063V	
			5P	—	○	○	YKF51-5066V	
		2 CONTINUATION	3P	—	—	○	○	YKF51-5061V
				—	—	○	—	YKF51-5051V
			5P	○	○	○	○	YKF51-5038V
				—	—	○	○	YKF51-5074V
				—	—	○	○	YKF51-5033V
				—	○	○	○	YKF51-5062V
		3 CONTINUATION	3P	○	○	○	○	YKF51-5053V
				—	—	○	○	YKF51-5055V
			5P	○	—	○	○	YKF51-5072V
				○	—	○	○	YKF51-5040V
② REVERSE DIRECTION		1 CONTINUATION	3P	—	—	○	YKF51-5065V	
			5P	○	○	—	YKF51-5067V	
		2 CONTINUATION	3P	○	○	—	—	YKF51-5069V
				—	○	—	—	YKF51-5057V
			5P	○	○	—	—	YKF51-5054V
				—	—	○	○	YKF51-5038V
		3 CONTINUATION	3P	○	○	—	—	YKF51-5070V
				—	—	—	—	YKF51-5059V
			5P	○	—	○	○	YKF51-5073V
				—	—	—	○	YKF51-5039V

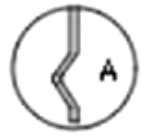
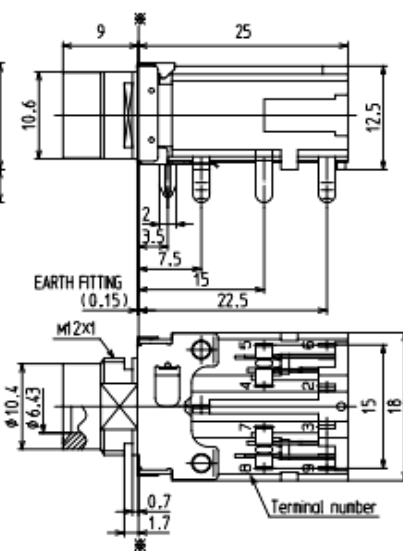
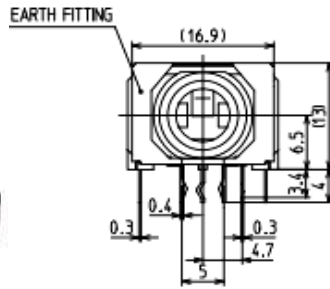
● **ROUND CONNECTOR**

		EARTH	CONTACT		OUTER CONTACT		
			Sn	Au	Ni	Au	
① PLUG		WITHOUT	○	—	—	—	YKF52-5002V
			—	○	—	—	YKF52-5010V
		WITH	○	—	—	—	YKF52-5003V
			—	○	—	—	YKF52-5004V
② SOCKET		WITHOUT	○	—	○	—	YKF52-5007V
			○	—	○	—	YKF52-5005V
		WITH	○	—	—	○	YKF52-5006V
			—	○	—	○	YKF52-5008V

PHONE JACK

PJ 9 SERIES

ENGINEERING DRAWING



TYPE OF TERMINAL A



METAL SLEEVE

CIRCUIT STRUCTURE	MONO	MONO SW	STEREO	
	2D	2E	3C	3E

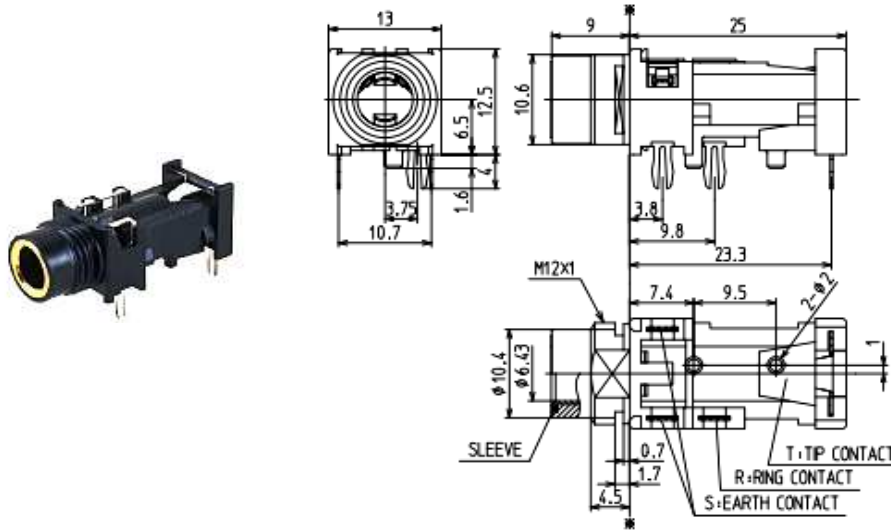
WITHOUT EARTH FITTING	DIP SIDE VIEW / TYPE OF TERMINAL A								
WITHOUT SLEEVE	YKB21-5018	WITHOUT SLEEVE	YKB21-5076	WITHOUT SLEEVE	YKB21-5006	WITHOUT SLEEVE	YKB21-5078		
WITH SLEEVE	Ni YKB21-5017	WITH SLEEVE	Ni YKB21-5075	WITH SLEEVE	Ni YKB21-5005	WITH SLEEVE	Ni YKB21-5077		
	Au YKB21-5139		Au YKB21-5218		Au YKB21-5153		Au YKB21-5209		

WITH EARTH FITTING	DIP SIDE VIEW / TYPE OF TERMINAL A								
WITHOUT SLEEVE		WITHOUT SLEEVE		WITHOUT SLEEVE	YKB21-5312	WITHOUT SLEEVE	YKB21-5313		
WITH SLEEVE	Ni YKB21-5328	WITH SLEEVE	Ni	WITH SLEEVE	Ni YKB21-5326	WITH SLEEVE	Ni		
	Au		Au YKB21-5335		Au YKB21-5362		Au		

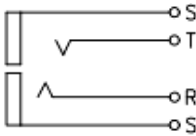
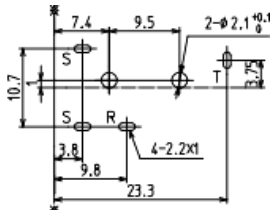
●PHONE JACK

③ PX 3 SERIES

ENGINEERING DRAWING



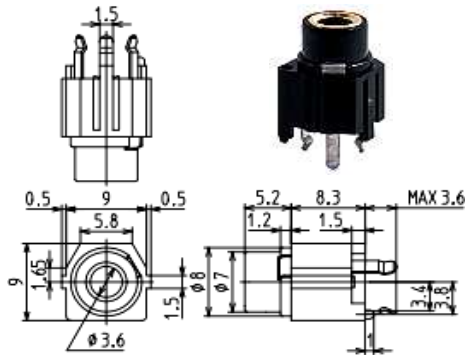
TYPE OF TERMINAL B

CIRCUIT STRUCTURE	STEREO	
	3Z	
		
WITHOUT EARTH FITTING	DIP SIDE VIEW / TYPE OF TERMINAL B	
		
	WITHOUT SLEEVE	YKB21-5320
	WITH SLEEVE	Ni YKB21-5321
	Au	YKB21-5317

● **MINIATURE JACK**

① **S3B SERIES**

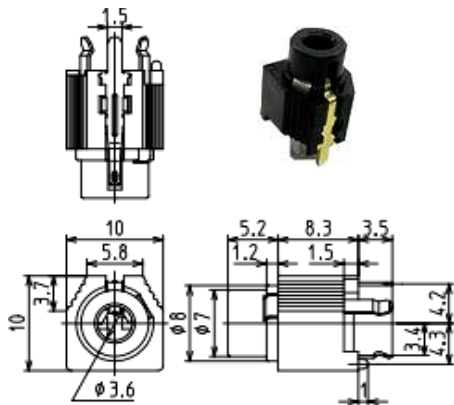
ENGINEERING DRAWING



REFERENCE AGREEMENT P.C.B	CIRCUIT STRUCTURE	STEREO 3A WITHOUT SW
		DIP SIDE VIEW
		WITHOUT SLEEVE YKB21-5359V WITH SLEEVE Ni YKB21-5340V Au YKB21-5327V

② **S4B SERIES**

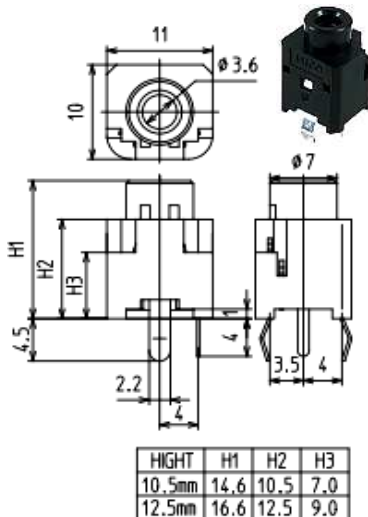
ENGINEERING DRAWING



REFERENCE AGREEMENT P.C.B	CIRCUIT STRUCTURE	STEREO 4A WITHOUT SW
		DIP SIDE VIEW
		WITHOUT SLEEVE YKB21-5366W WITH SLEEVE Ni _____ Au _____

③ **S3A SERIES**

ENGINEERING DRAWING

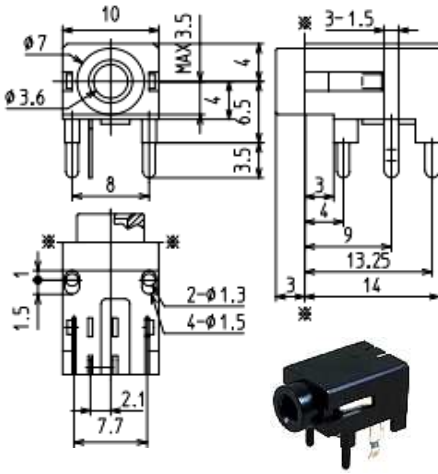


REFERENCE AGREEMENT P.C.B	CIRCUIT STRUCTURE	MONO		STEREO		
		2A WITHOUT SW	2B WITH SW	3A WITHOUT SW		
		DIP SIDE VIEW 				
	WITHOUT SLEEVE	10.5 YKB21-5164V 12.5 YKB21-5206V	WITHOUT SLEEVE	10.5 YKB21-5165V 12.5 YKB21-5205V	WITHOUT SLEEVE	10.5 YKB21-5157V 12.5 YKB21-5204V
	WITH SLEEVE	Ni _____ Au _____	WITH SLEEVE	Ni _____ Au _____	WITH SLEEVE	Ni _____ Au _____

● **MINIATURE JACK**

④ **MJ3 SERIES**

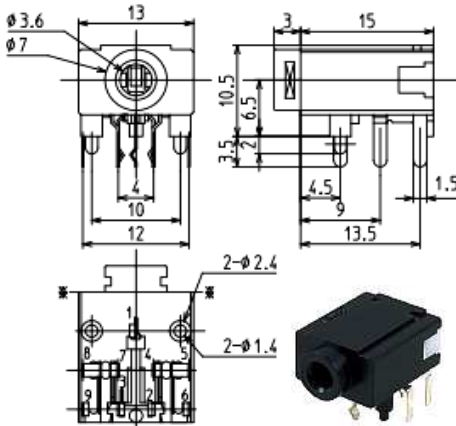
ENGINEERING DRAWING



CIRCUIT STRUCTURE	MONO		STEREO
	2A WITHOUT SW	2B WITH SW	3A WITHOUT SW
REFERENCE AGREEMENT P.C.B	DIP SIDE VIEW		
WITHOUT SLEEVE	YKB21-5291V	WITHOUT SLEEVE	YKB21-5289V
WITH SLEEVE	Ni YKB21-5293V Au	WITH SLEEVE	Ni YKB21-5294V Au YKB21-5296V
		WITHOUT SLEEVE	YKB21-5290V
		WITH SLEEVE	Ni YKB21-5295V Au YKB21-5292V

⑤ **SJ9 SERIES**

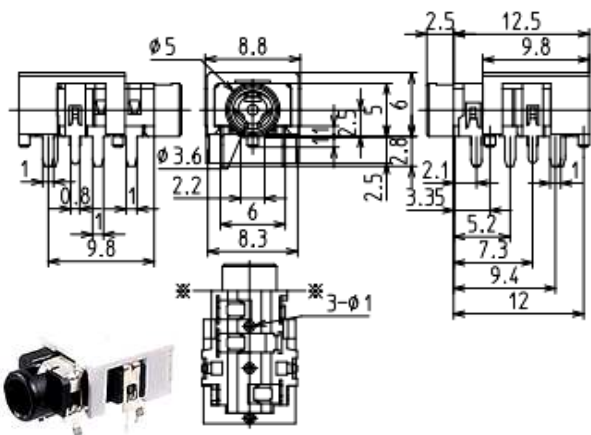
ENGINEERING DRAWING



CIRCUIT STRUCTURE	STEREO		
	3A WITHOUT SW	3C WITH SW	3E WITH SW
REFERENCE AGREEMENT P.C.B	DIP SIDE VIEW		
WITHOUT SLEEVE	YKB21-5406N	WITHOUT SLEEVE	YKB21-5352N
WITH SLEEVE	Ni YKB21-5413N Au YKB21-5414N	WITH SLEEVE	Ni YKB21-5343N Au YKB21-5399N
		WITHOUT SLEEVE	YKB21-5344N
		WITH SLEEVE	Ni YKB21-5345N Au YKB21-5398N

⑥ **LA7 SERIES**

ENGINEERING DRAWING



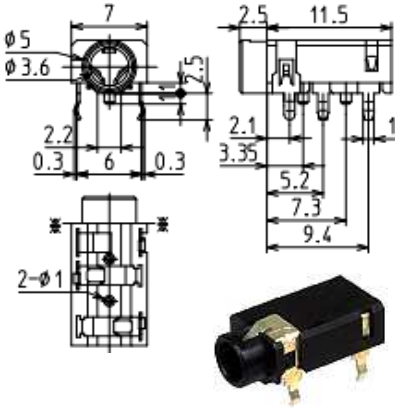
CIRCUIT STRUCTURE	STEREO	
	4Z WITH SW	
REFERENCE AGREEMENT P.C.B	DIP SIDE VIEW	
WITHOUT SLEEVE	YKB21-5349	
WITH SLEEVE	Ni	
	Au	

● **MINIATURE JACK**

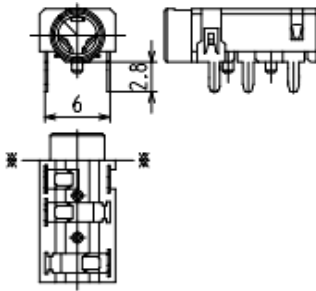
⑦ **LA4 SERIES**

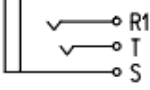
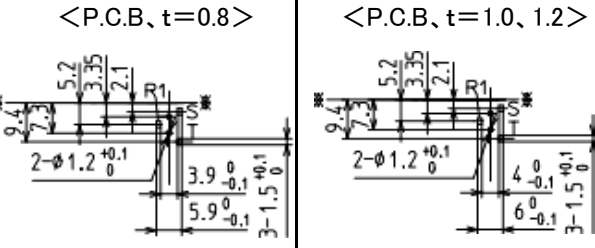
ENGINEERING DRAWING


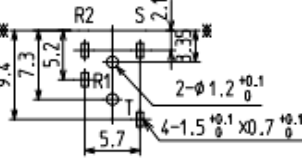
< LEAD : WITH KINK >



< LEAD : STRAIGHT >



CIRCUIT STRUCTURE	STEREO			
	3A			
		WITHOUT SW		
				
REFERENCE AGREEMENT P.C.B	DIP SIDE VIEW			
	<P.C.B, t=0.8>	<P.C.B, t=1.0, 1.2>		
				
WITHOUT SLEEVE	YKB21-5274B			
WITH SLEEVE	Ni	_____		
	Au	_____		

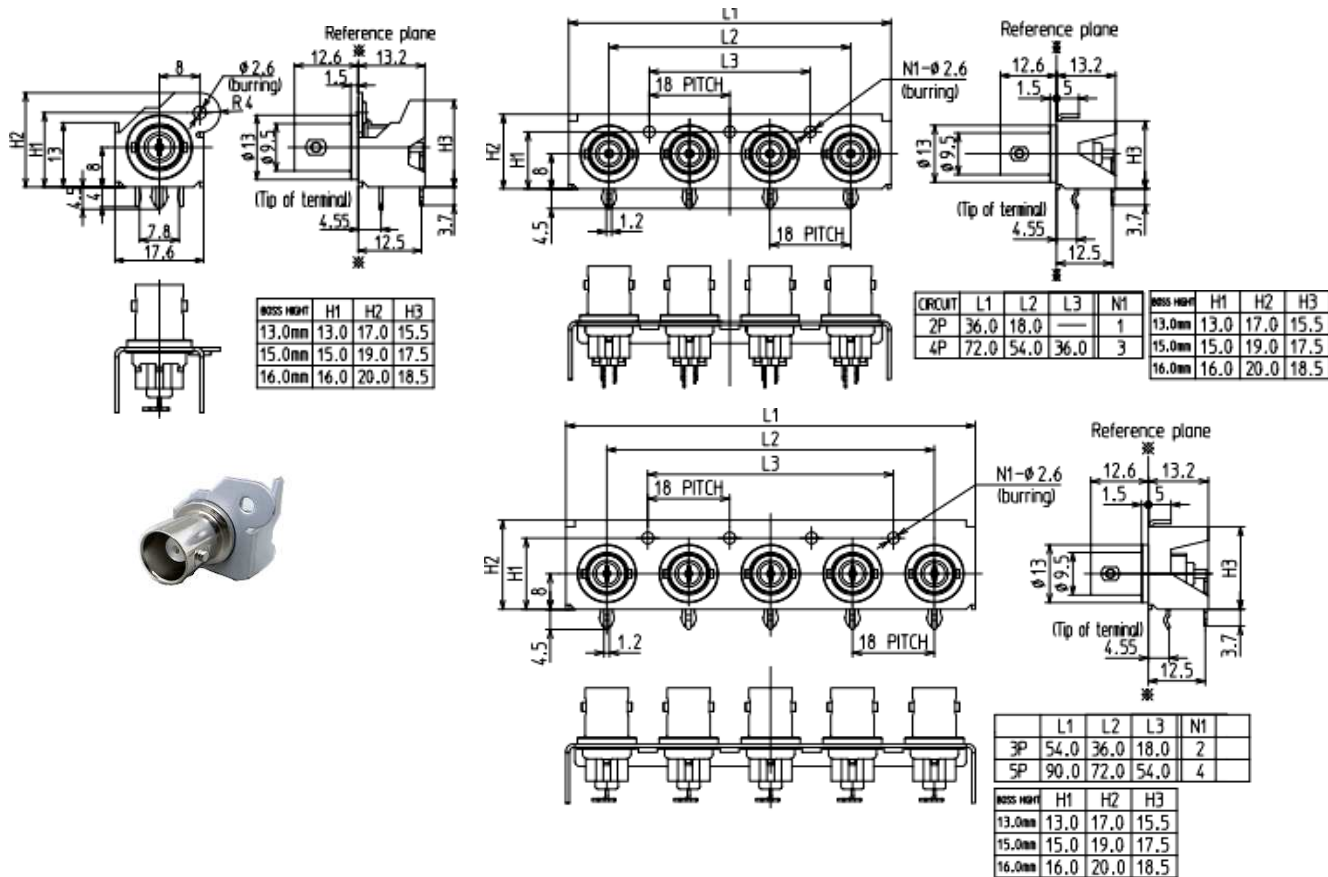
CIRCUIT STRUCTURE			STEREO	
			4A	
		WITHOUT SW		
				
REFERENCE AGREEMENT P.C.B			DIP SIDE VIEW	
			<P.C.B, t=1.2>	
				
WITHOUT SLEEVE	YKB21-5347			
WITH SLEEVE	Ni	_____		
	Au	_____		

SPECIFICATION	PRACTICAL TEMPERATURE RANGE	-25 ~ +70°C
	PRESERVATION TEMPERATURE RANGE	-25 ~ +70°C
	RATED VOLTAGE CURRENT	DC 12V, DC 1A
	INSULATION RESISTANCE	100MΩ MIN (DC 500Vにて)
	WITHSTAND VOLTAGE	AC 500V (1 MINUTE)
	CONTACT RESISTANCE	50mΩ MAX
	MATERIAL	MOLD : HEAT ABS or PPHOX TERMINAL : COPPER ALLOY(Ag or Sn PLATING)

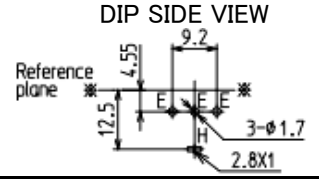
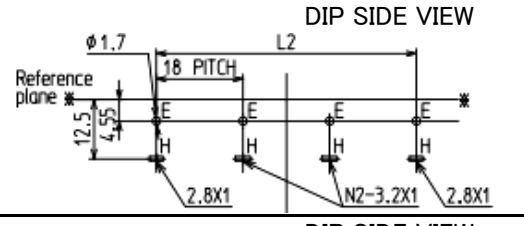
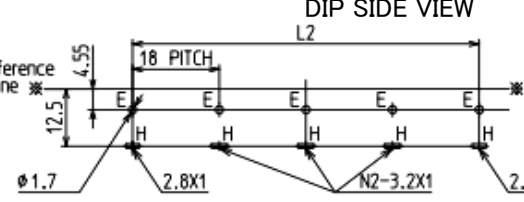
BNC CONNECTOR

①-1 RIGHT ANGLE - WITHOUT SW

ENGINEERING DRAWING



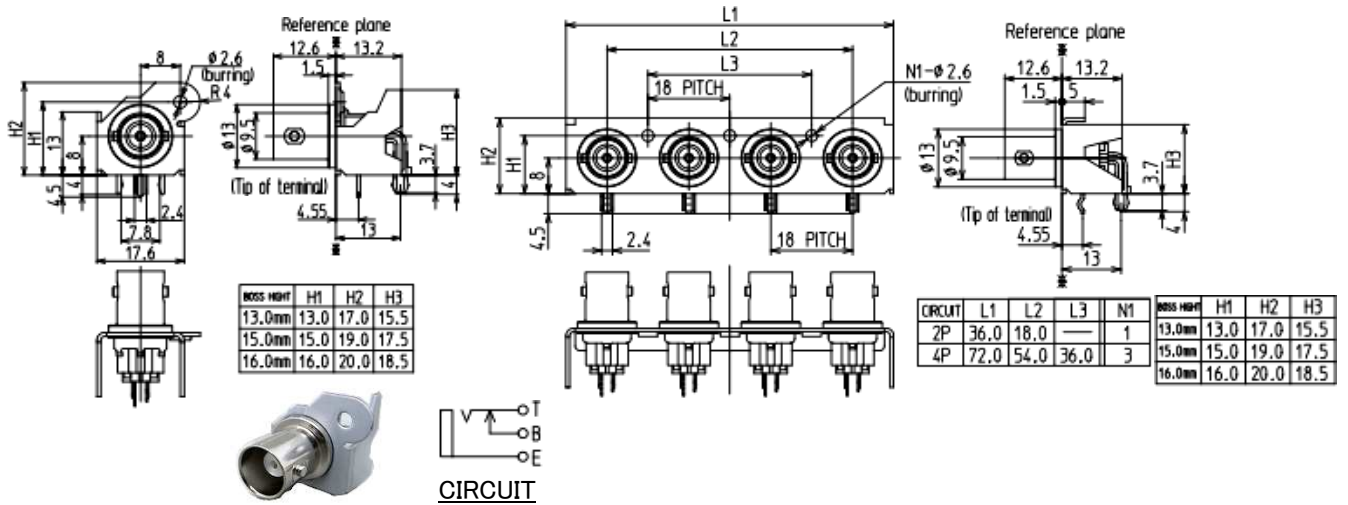
SPECIFICATION	PRACTICAL TEMPERATURE RANGE	-25 ~ +70°C
	PRESERVATION TEMPERATURE RANGE	-40 ~ +70°C
	RATED VOLTAGE CURRENT	DC 20V, DC 500mA
	INSULATION RESISTANCE	1000MΩ MIN (DC 500Vにて)
	WITHSTAND VOLTAGE	AC 1.5kV (1 MINUTE: CONTACT-CONTACT), AC 500V (1 MINUTE: CONTACT-SW)
	CONTACT RESISTANCE	30mΩ MAX
	MATERIAL	MOLD: PP or POM, DIECAST CAP: ZDC2 (Ni PLATING) TERMINAL: COPPER ALLOY (Sn PLATING), CHISSIS: STEEL (Zn PLATING)

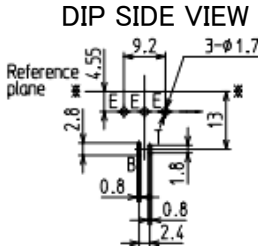
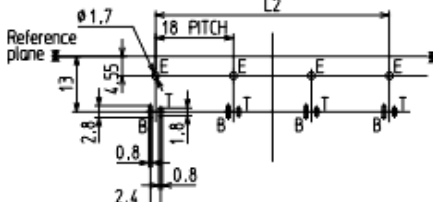
	BOSS HEIGHT			REFERENCE AGREEMENT P.C.B
	13.0mm	15.0mm	16.0mm	
1P	—	YKC31-0155	—	DIP SIDE VIEW 
EVEN NUMBER	2P	—	YKC31-0156	DIP SIDE VIEW  CIRCUIT: 2P (L2: 18.0), 4P (L2: 54.0, N2: 2)
	4P	YKC31-0158	—	
ODD NUMBER	3P	YKC31-0157	—	DIP SIDE VIEW  CIRCUIT: 3P (L2: 36.0, N2: 1), 5P (L2: 72.0, N2: 3)
	5P	—	YKC31-0159	

●BNC CONNECTOR

①-2 RIGHT ANGLE - WITH SW

ENGINEERING DRAWING

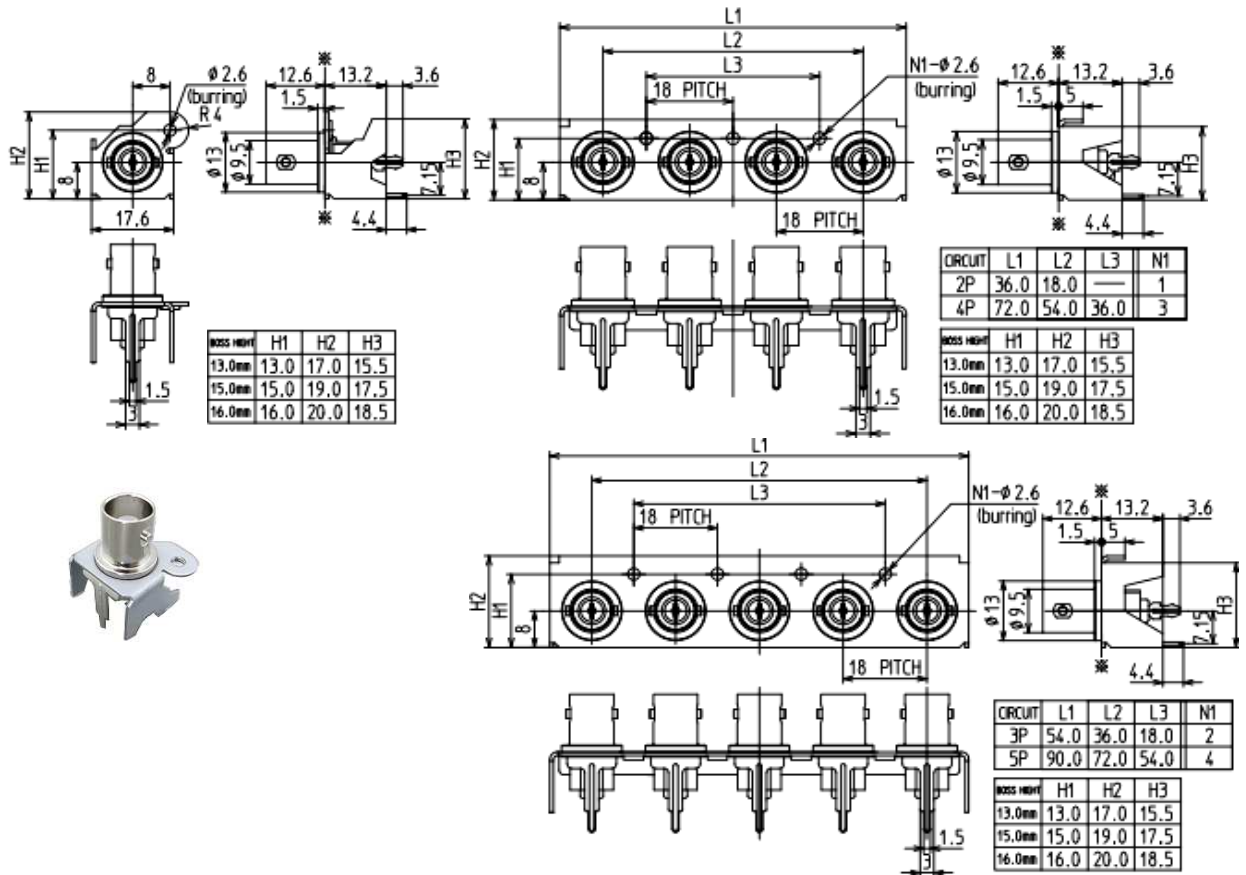


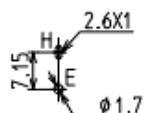
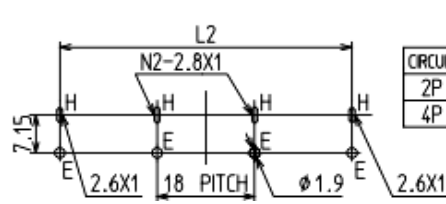
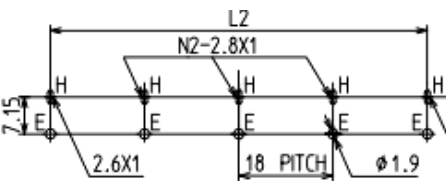
		BOSS HEIGHT			REFERENCE AGREEMENT P.C.B							
		13.0mm	15.0mm	16.0mm								
EVEN NUMBER	1P	—	YKC31-0193	—								
	2P	—	—	YKC31-0165		 <table border="1"> <thead> <tr> <th>CIRCUIT</th> <th>L2</th> </tr> </thead> <tbody> <tr> <td>2P</td> <td>18.0</td> </tr> <tr> <td>4P</td> <td>54.0</td> </tr> </tbody> </table>	CIRCUIT	L2	2P	18.0	4P	54.0
	CIRCUIT	L2										
2P	18.0											
4P	54.0											
4P	YKC31-0194	—	—	—								

● **BNC CONNECTOR**

②-1 VERTICAL - WITHOUT SW

ENGINEERING DRAWING

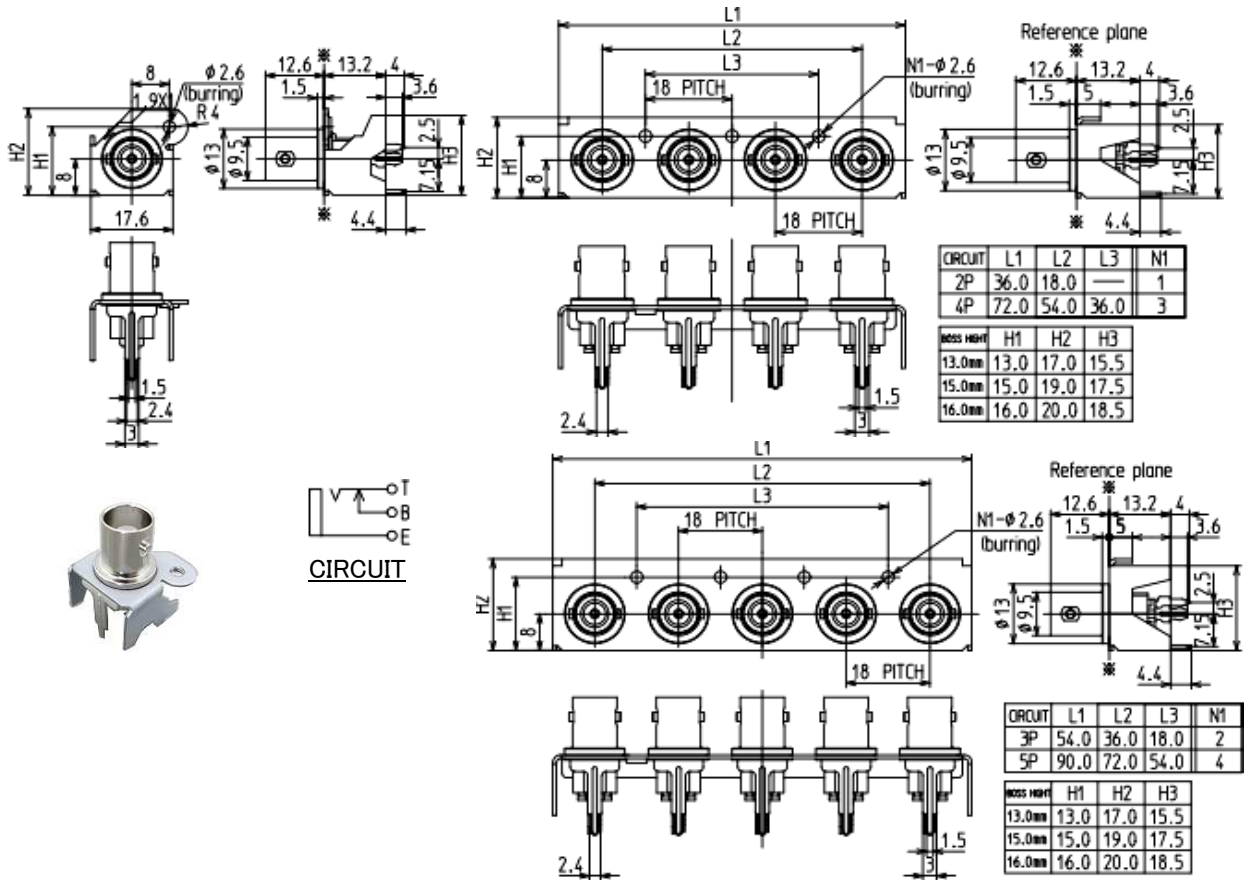


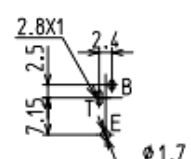
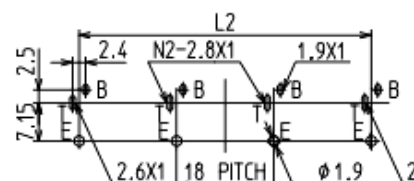
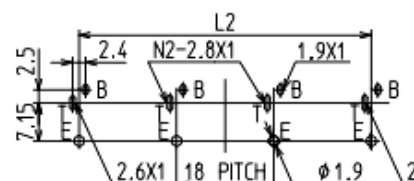
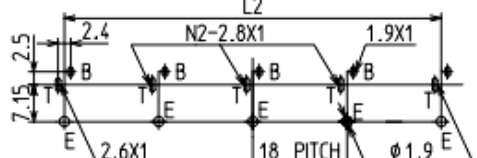
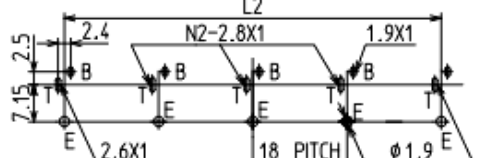
		BOSS HEIGHT			REFERENCE AGREEMENT P.C.B
		13.0mm	15.0mm	16.0mm	
	1P	—	YKC31-0160	—	DIP SIDE VIEW 
EVEN NUMBER	2P	—	—	YKC31-0161	DIP SIDE VIEW 
	4P	YKC31-0163	—	—	
ODD NUMBER	3P	YKC31-0162	—	—	DIP SIDE VIEW 
	5P	—	—	YKC31-0164	

● **BNC CONNECTOR**

②-2 VERTICAL - WITH SW

ENGINEERING DRAWING

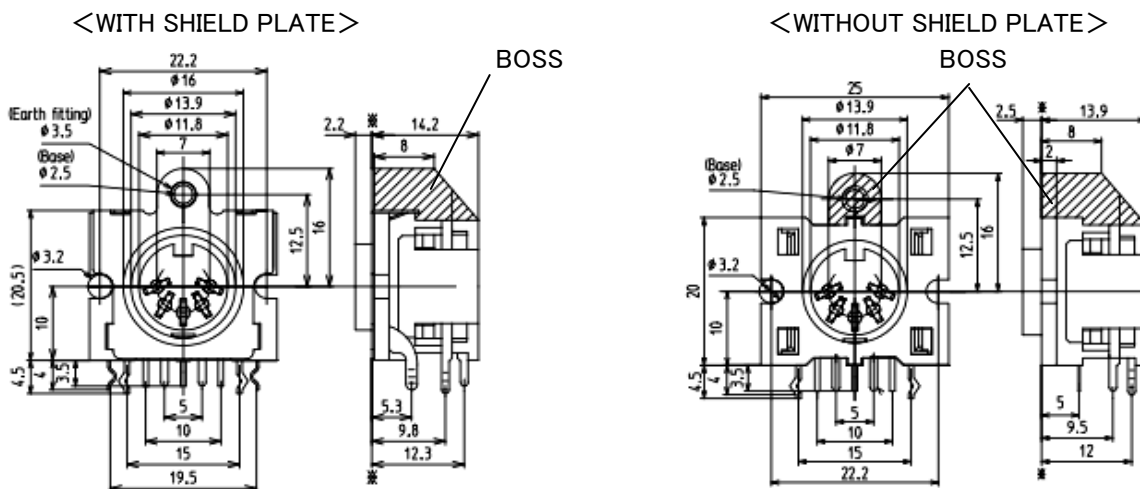


		BOSS HIGHT			REFERENCE AGREEMENT P.C.B
		13.0mm	15.0mm	16.0mm	
	1P	—	YKC31-0173	—	DIP SIDE VIEW 
EVEN NUMBER	2P	—	—	YKC31-0170	DIP SIDE VIEW 
	4P	YKC31-0167	—	—	
	3P	YKC31-0172	—	—	DIP SIDE VIEW 
	5P	—	—	YKC31-0171	

DIN CONNECTOR

① ORIGINAL DIRECTION — 1 CONTINUATION

ENGINEERING DRAWING



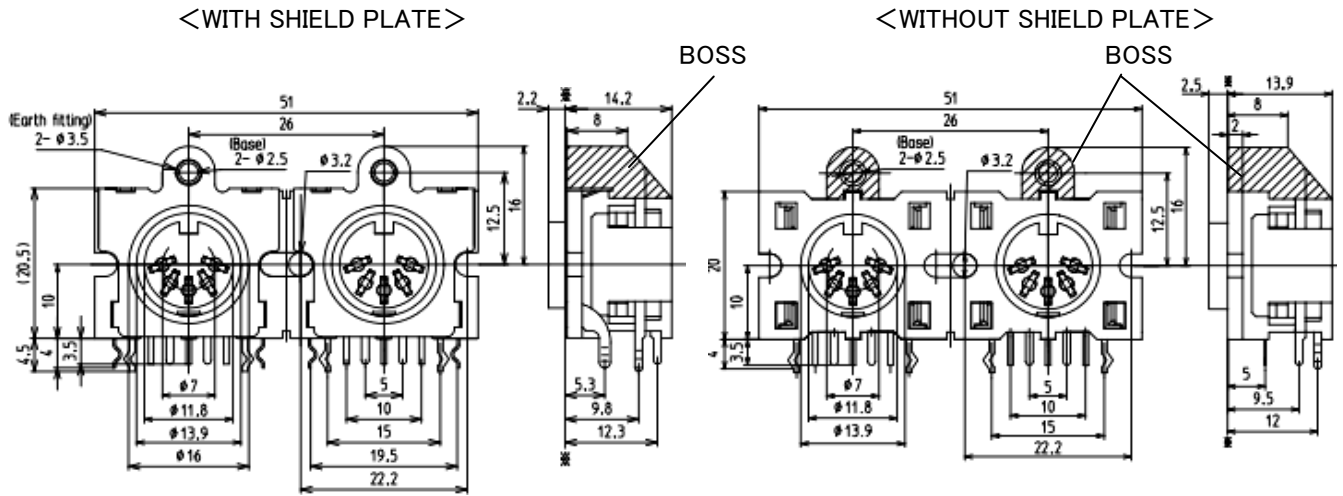
SPECIFICATION	PRACTICAL TEMPERATURE RANGE	-25 ~ +70°C
	PRESERVATION TEMPERATURE RANGE	-40 ~ +70°C
	RATED VOLTAGE CURRENT	DC 12V, DC 2A
	INSULATION RESISTANCE	100MΩ MIN (DC 500Vにて)
	WITHSTAND VOLTAGE	AC 500V (1 MINUTE)
	CONTACT RESISTANCE	30mΩ MAX
	MATERIAL	MOLD: ABS or PPHOX TERMINAL: COPPER ALLOY(Ag or Sn PLATING)

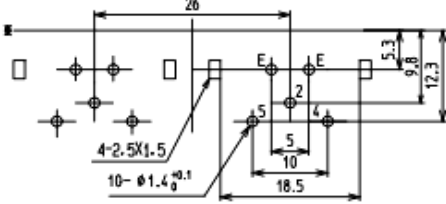
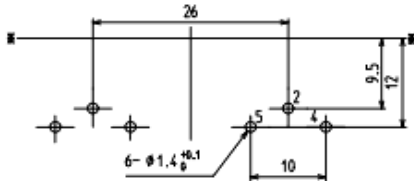
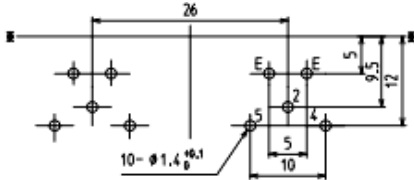
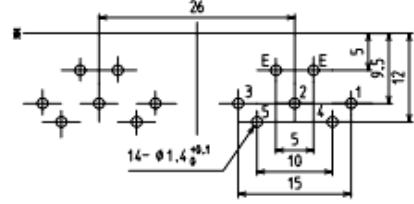
		WITH SHIELD PLATE		WITHOUT SHIELD PLATE		
3P	DIP SIDE VIEW					
	WITH BOSS	WITH EARTH	YKF51-5063V	WITH BOSS	WITH EARTH	—
		WITHOUT EARTH	—		WITHOUT EARTH	—
	WITHOUT BOSS	WITH EARTH	—	WITHOUT BOSS	WITH EARTH	—
		WITHOUT EARTH	—		WITHOUT EARTH	—
5P	DIP SIDE VIEW					
	WITH BOSS	WITH EARTH	YKF51-5061V	WITH BOSS	WITH EARTH	YKF51-5066V
		WITHOUT EARTH	—		WITHOUT EARTH	—
	WITHOUT BOSS	WITH EARTH	—	WITHOUT BOSS	WITH EARTH	—
	WITHOUT EARTH	—		WITHOUT EARTH	—	

DIN CONNECTOR

② ORIGINAL DIRECTION — 2 CONTINUATION

ENGINEERING DRAWING



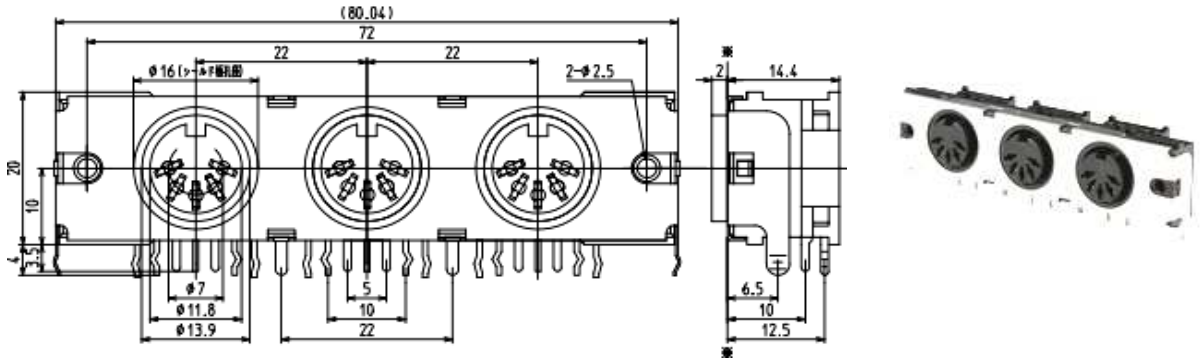
		WITH SHIELD PLATE		WITHOUT SHIELD PLATE		
3P	DIP SIDE VIEW				DIP SIDE VIEW	
					<YKF51-5036V> 	
				<YKF51-5051V> 		
WITH BOSS	WITH EARTH	YKF51-5074V		WITH BOSS	WITH EARTH	—————
	WITHOUT EARTH	—————			WITHOUT EARTH	YKF51-5036V
WITHOUT BOSS	WITH EARTH	—————		WITHOUT BOSS	WITH EARTH	YKF51-5051V
	WITHOUT EARTH	—————			WITHOUT EARTH	—————
5P	DIP SIDE VIEW				DIP SIDE VIEW	
						
WITH BOSS	WITH EARTH	YKF51-5053V		WITH BOSS	WITH EARTH	YKF51-5062V
	WITHOUT EARTH	—————			WITHOUT EARTH	—————
WITHOUT BOSS	WITH EARTH	—————		WITHOUT BOSS	WITH EARTH	YKF51-5033V
	WITHOUT EARTH	—————			WITHOUT EARTH	—————

DIN CONNECTOR

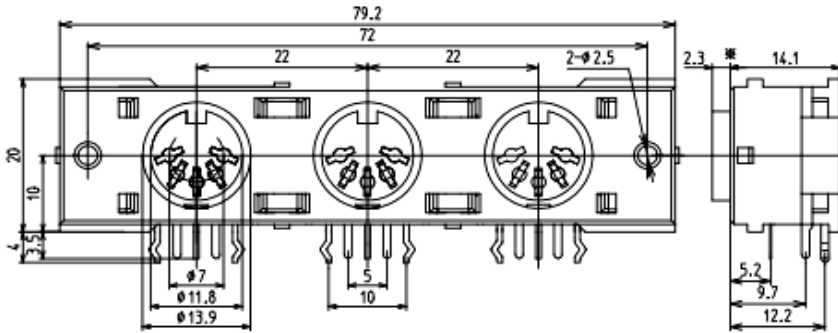
③ ORIGINAL DIRECTION — 3 CONTINUATION

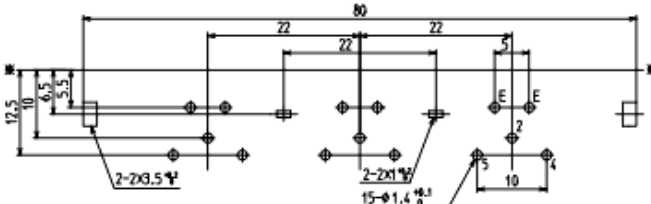
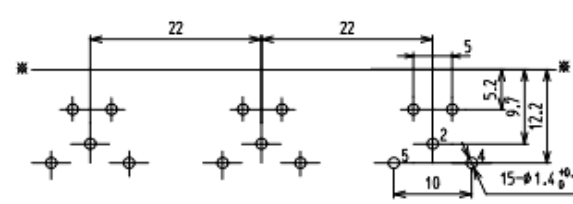
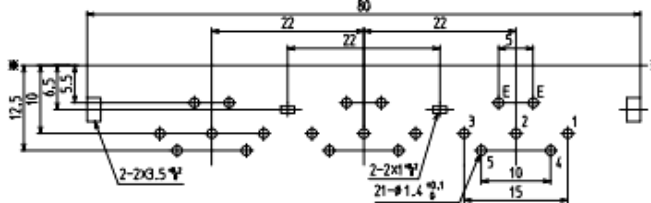

ENGINEERING DRAWING

< WITH SHIELD PLATE >



< WITHOUT SHIELD PLATE >

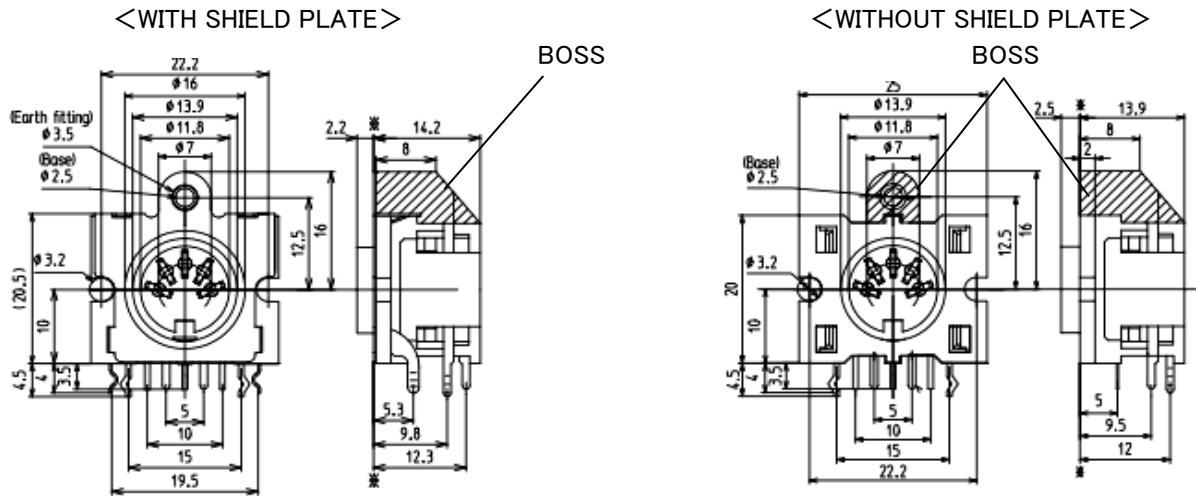


		WITH SHIELD PLATE		WITHOUT SHIELD PLATE		
3P	DIP SIDE VIEW					
						
	WITH BOSS	WITH EARTH	_____	WITH BOSS	WITH EARTH	_____
		WITHOUT EARTH	_____		WITHOUT EARTH	_____
WITHOUT BOSS	WITH EARTH	YKF51-5072V	WITHOUT BOSS	WITH EARTH	YKF51-5055V	
	WITHOUT EARTH	_____		WITHOUT EARTH	_____	
5P	DIP SIDE VIEW					
						
	WITH BOSS	WITH EARTH	_____	WITH BOSS	WITH EARTH	_____
		WITHOUT EARTH	_____		WITHOUT EARTH	_____
WITHOUT BOSS	WITH EARTH	YKF51-5040V	WITHOUT BOSS	WITH EARTH	_____	
	WITHOUT EARTH	_____		WITHOUT EARTH	_____	

DIN CONNECTOR

④ REVERSE DIRECTION — 1 CONTINUATION

ENGINEERING DRAWING



SPECIFICATION	PRACTICAL TEMPERATURE RANGE	-25 ~ +70°C
	PRESERVATION TEMPERATURE RANGE	-40 ~ +70°C
	RATED VOLTAGE CURRENT	DC 12V, DC 2A
	INSULATION RESISTANCE	100MΩ MIN (DC 500Vにて)
	WITHSTAND VOLTAGE	AC 500V (1 MINUTE)
	CONTACT RESISTANCE	30mΩ MAX
	MATERIAL	MOLD: ABS or PPHOX TERMINAL: COPPER ALLOY(Ag or Sn PLATING)

		WITH SHIELD PLATE		WITHOUT SHIELD PLATE		
3P	DIP SIDE VIEW					
	WITH BOSS	WITH EARTH	_____	WITH BOSS	WITH EARTH	_____
		WITHOUT EARTH	YKF51-5067V		WITHOUT EARTH	_____
WITHOUT BOSS	WITH EARTH	_____	WITHOUT BOSS	WITH EARTH	YKF51-5065V	
	WITHOUT EARTH	_____		WITHOUT EARTH	_____	
DIP SIDE VIEW						
WITH BOSS	WITH EARTH	_____	WITH BOSS	WITH EARTH	_____	
	WITHOUT EARTH	YKF51-5069V		WITHOUT EARTH	_____	
WITHOUT BOSS	WITH EARTH	_____	WITHOUT BOSS	WITH EARTH	_____	
	WITHOUT EARTH	_____		WITHOUT EARTH	_____	

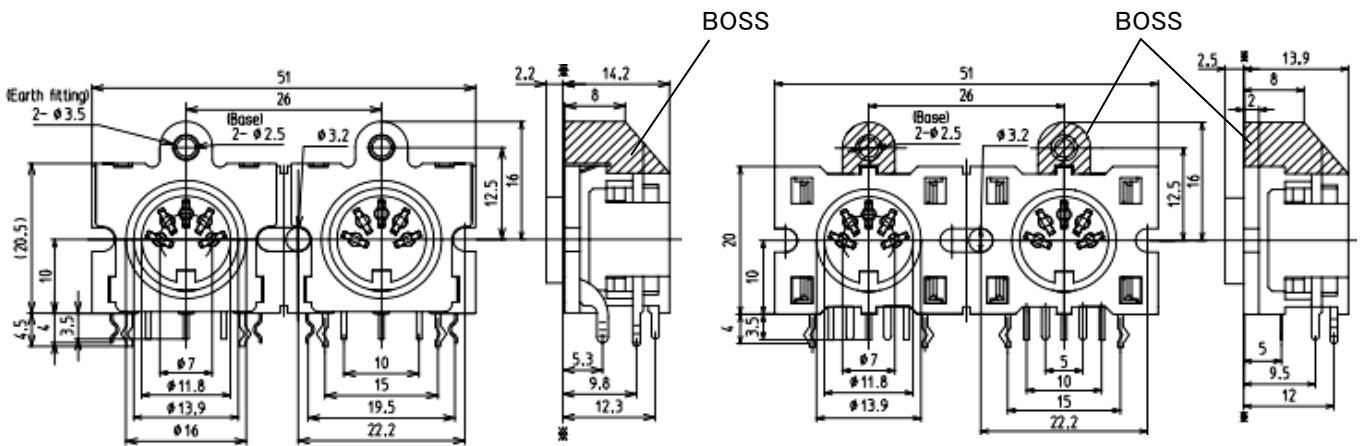
DIN CONNECTOR

⑤ REVERSE DIRECTION — 2 CONTINUATION

ENGINEERING DRAWING

<WITH SHIELD PLATE>

<WITHOUT SHIELD PLATE>



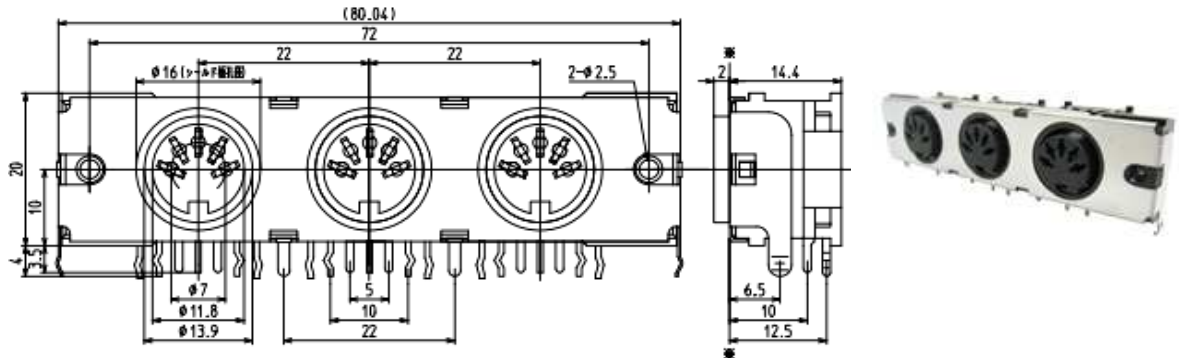
WITH SHIELD PLATE			WITHOUT SHIELD PLATE			
3P	DIP SIDE VIEW					
	WITH BOSS	WITH EARTH	_____	WITH BOSS	WITH EARTH	_____
		WITHOUT EARTH	YKF51-5054V		WITHOUT EARTH	YKF51-5057V
WITHOUT BOSS	WITH EARTH	_____	WITHOUT BOSS	WITH EARTH	_____	
	WITHOUT EARTH	_____		WITHOUT EARTH	_____	
5P	DIP SIDE VIEW					
	WITH BOSS	WITH EARTH	_____	WITH BOSS	WITH EARTH	_____
		WITHOUT EARTH	YKF51-5070V		WITHOUT EARTH	_____
WITHOUT BOSS	WITH EARTH	_____	WITHOUT BOSS	WITH EARTH	YKF51-5038V	
	WITHOUT EARTH	_____		WITHOUT EARTH	_____	

DIN CONNECTOR

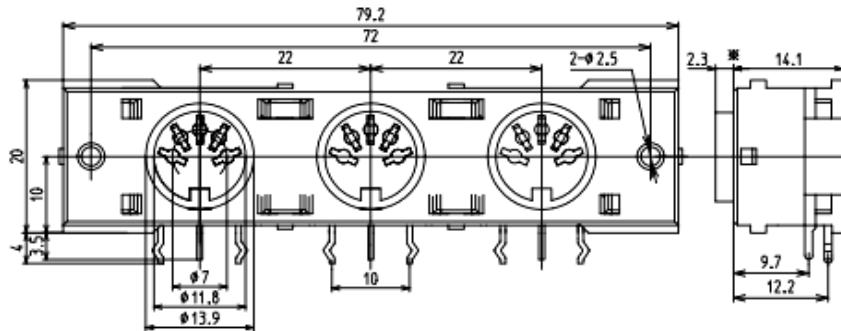
⑥ REVERSE DIRECTION — 3 CONTINUATION

ENGINEERING DRAWING

<WITH SHIELD PLATE>



<WITHOUT SHIELD PLATE>

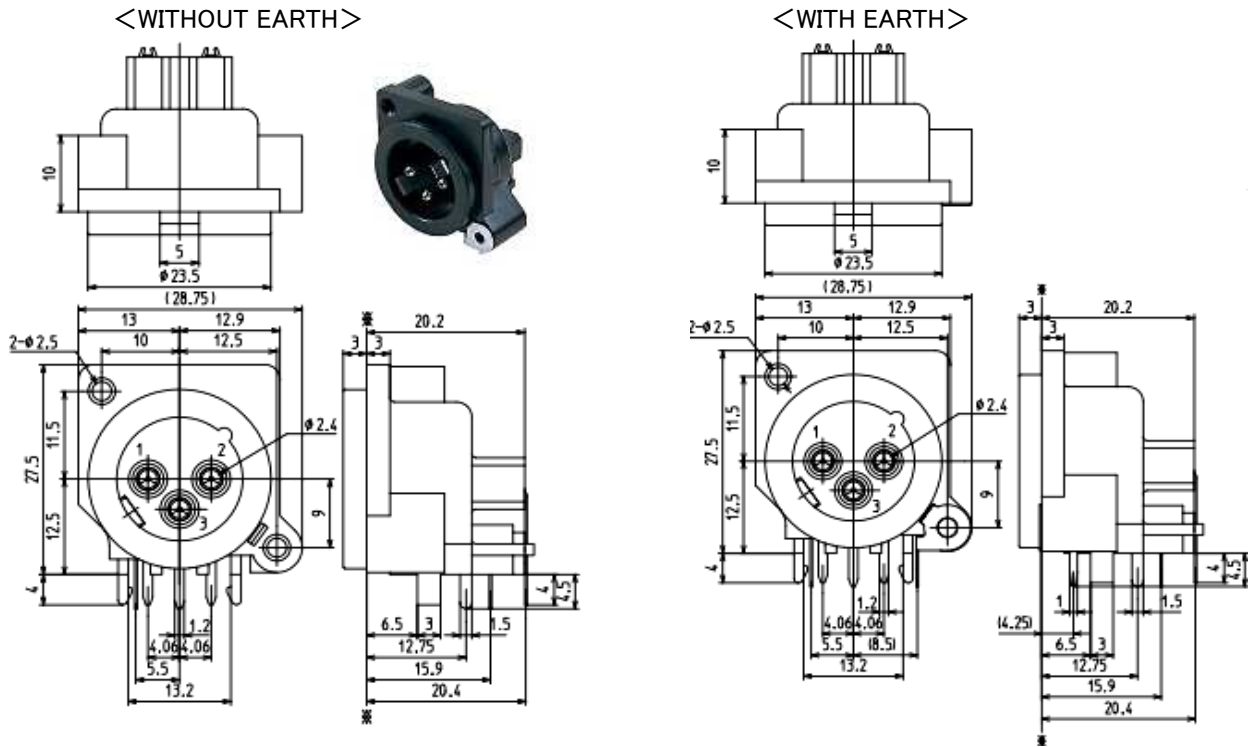


		WITH SHIELD PLATE		WITHOUT SHIELD PLATE		
3P	DIP SIDE VIEW					
	WITH BOSS	WITH EARTH	_____	WITH BOSS	WITH EARTH	_____
		WITHOUT EARTH	_____		WITHOUT EARTH	_____
WITHOUT BOSS	WITH EARTH	YKF51-5073V	WITHOUT BOSS	WITH EARTH	_____	
	WITHOUT EARTH	_____		WITHOUT EARTH	YKF51-5059V	

● **ROUND CONNECTOR**

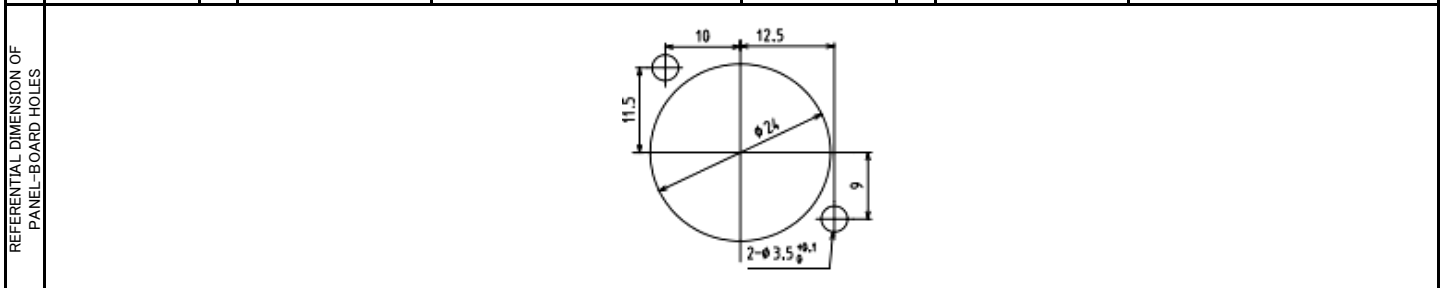
① **PLUG**

ENGINEERING DRAWING



SPECIFICATION	PRACTICAL TEMPERATURE RANGE	-25 ~ +70°C	
	PRESERVATION TEMPERATURE RANGE	-40 ~ +70°C	
	RATED VOLTAGE CURRENT	DC 120V、DC 3A	
	INSULATION RESISTANCE	1000MΩ MIN (DC 500Vにて)	
	WITHSTAND VOLTAGE	AC 1kV (1 MINUTE)	
	CONTACT RESISTANCE	500MΩ MAX	
	MATERIAL	< PLUG >	MOLD: PPHOX CONTACT: COPPER ALLOY(Au or Sn PLATING)、EARTH TERMINAL: COPPER ALLOY(Sn PLATING)
		< SOCKET >	MOLD: PPHOX、KNOB: POM TERMINAL: COPPER ALLOY(Au or Sn PLATING)、EARTH FITTING: COPPER ALLOY(Sn PLATING) OUTER CONTACT: COPPER ALLOY(Au or Ni PLATING)

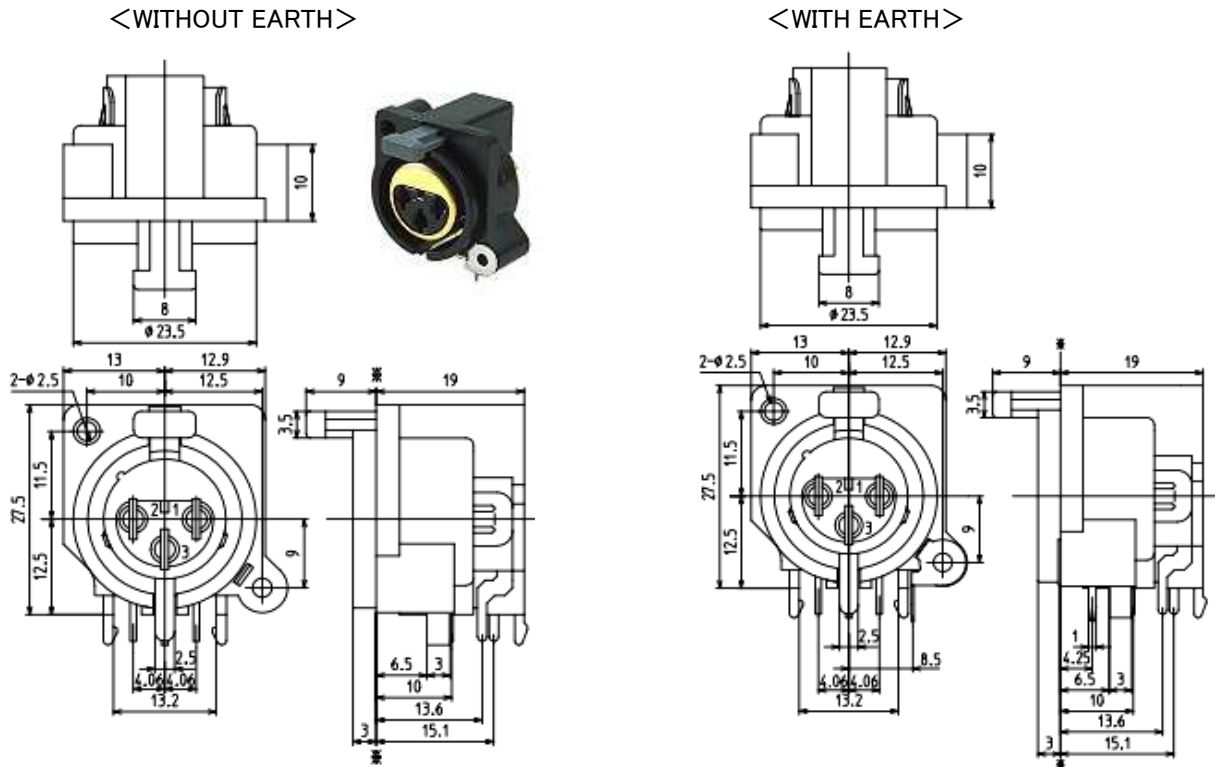
REFERENCE AGREEMENT P.C.B	WITHOUT EARTH	WITH EARTH	
	DIP SIDE VIEW <P.C.B、t=1.6>		
CONTACT	Sn YKF52-5002V Au YKF52-5010V	CONTACT	Sn YKF52-5003V Au YKF52-5004V



● ROUND CONNECTOR

② SOCKET

ENGINEERING DRAWING



		WITHOUT EARTH				WITH EARTH						
DIP SIDE VIEW <P.C.B, t=1.6>												
REFERENCE AGREEMENT P.C.B	CONTACT		Sn	OUTER CONTACT	Ni	YKF52-5007V	CONTACT	Sn	OUTER CONTACT	Ni	YKF52-5005V	
			Au		Au	Au		Au				
			Au		Ni				Au		Ni	
			Au		Au	YKF52-5005V						

